



Wired Outdoor DT Curtain Detector Installation Instructions



EN

Model : RK107DT

For more information about RISCO Group's branches, distributors and full product line, please visit riscogroup.com

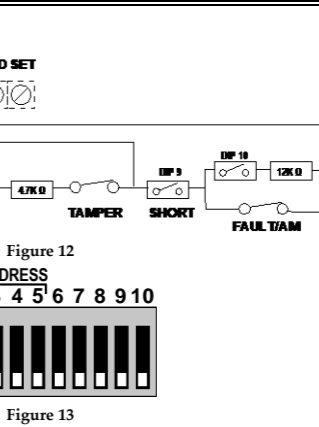
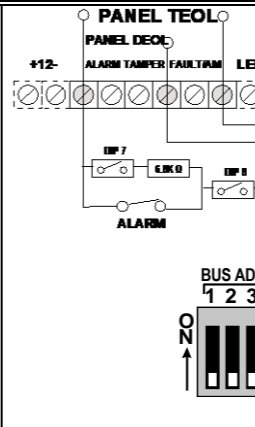
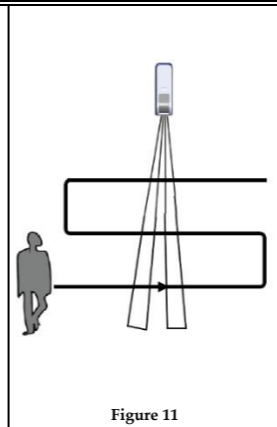
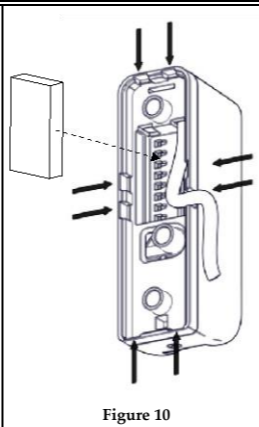
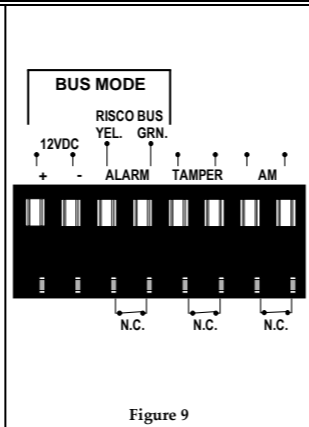
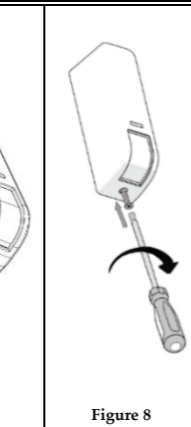
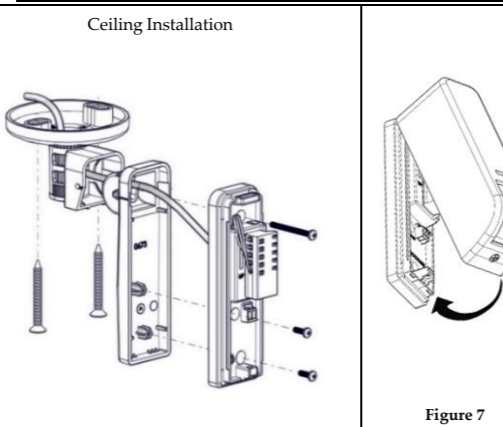
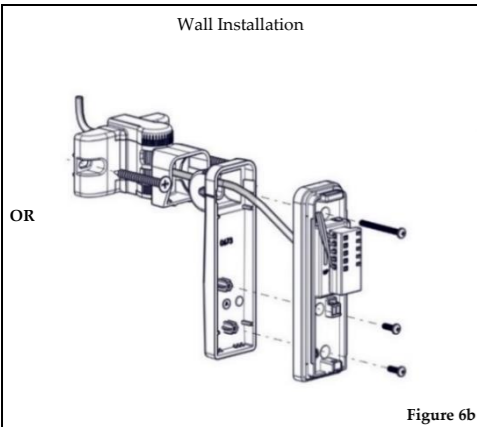
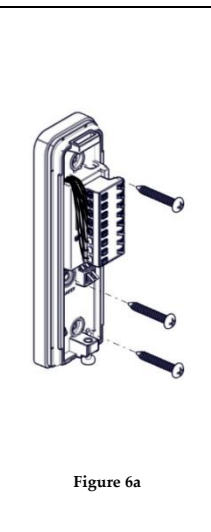
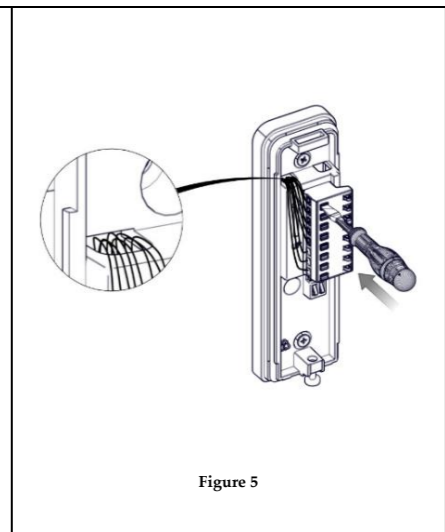
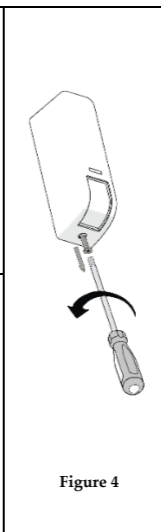
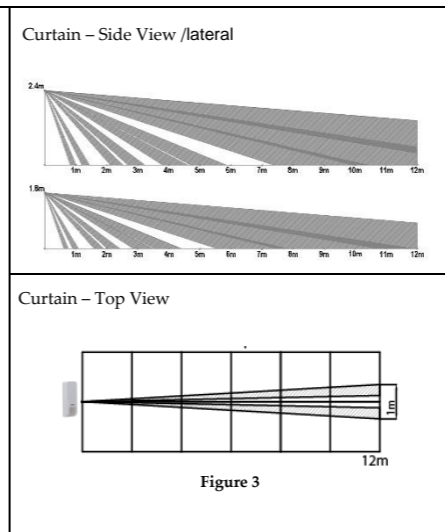
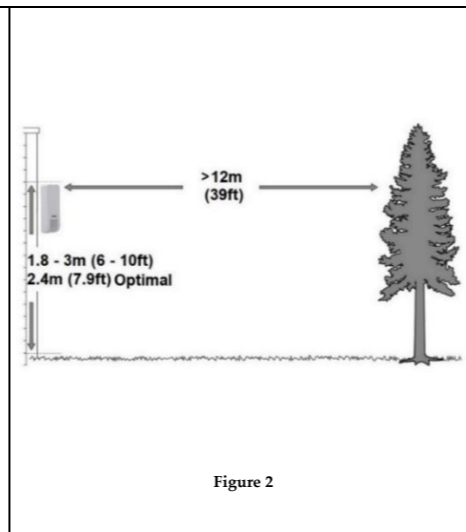
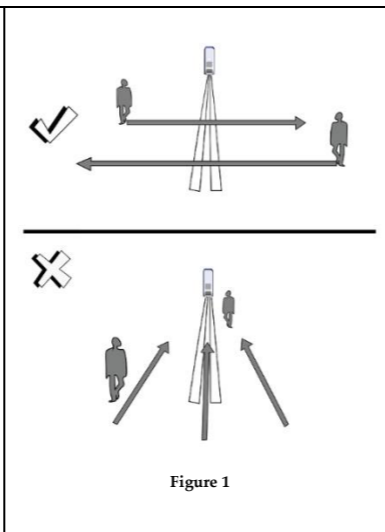
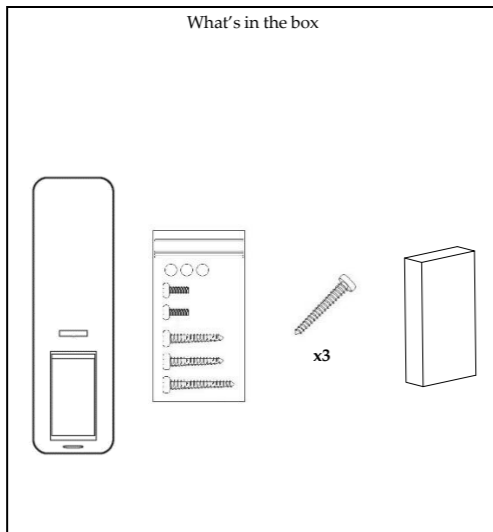


		Table 1					Table 1				
ID	1	2	3	4	5	ID	1	2	3	4	5
01	OFF	OFF	OFF	OFF	OFF	17	OFF	OFF	OFF	OFF	ON
02	ON	OFF	OFF	OFF	OFF	18	ON	OFF	OFF	OFF	ON
03	OFF	ON	OFF	OFF	OFF	19	ON	ON	OFF	OFF	ON
04	ON	ON	OFF	OFF	OFF	20	ON	ON	OFF	OFF	ON
05	OFF	OFF	ON	OFF	OFF	21	OFF	OFF	ON	OFF	ON
06	ON	OFF	ON	OFF	OFF	22	ON	OFF	ON	OFF	ON
07	OFF	ON	ON	OFF	OFF	23	OFF	ON	ON	OFF	ON
08	ON	ON	ON	OFF	OFF	24	ON	ON	ON	OFF	ON
09	OFF	OFF	OFF	ON	OFF	25	OFF	OFF	OFF	ON	ON
10	ON	OFF	OFF	ON	OFF	26	ON	OFF	OFF	ON	ON
11	OFF	ON	OFF	ON	OFF	27	OFF	ON	OFF	ON	ON
12	ON	ON	OFF	ON	OFF	28	ON	ON	OFF	ON	ON
13	OFF	OFF	ON	ON	OFF	29	OFF	OFF	ON	ON	ON
14	ON	OFF	ON	ON	OFF	30	ON	OFF	ON	ON	ON
15	OFF	ON	ON	ON	OFF	31	OFF	ON	ON	ON	ON
16	ON	ON	ON	ON	OFF	32	ON	ON	ON	ON	ON

EN

1. Description

RISCO Outdoor DT Curtain detector has been designed to provide enhanced 24-hour outdoor protection, with Active IR Anti-mask, Integrated Dual Technology that combines K-Band microwave with PIR sensor and light sensor to minimize false alarms.

- Features include**
- Selectable detection coverage of up to 12m, 5°
 - K-Band Microwave detection
 - Active IR Anti-mask
 - Various mounting heights 1.8-3m
 - Designed for outdoor installation, UV resistance, IP 65
 - Tamper protection

2. Installation

Step 1: Preliminary Considerations (see Figures 1 and 2)
Select the mounting location for best coverage of the area that is to be protected. Avoid pointing the detector in the direction of moving objects (such as, swaying trees and bushes).

Step 2: PIR Coverage Pattern (see Figure 3)
For optimal detection results, install the detector at a height of 2.4 m

Step 3: Mount the Bracket on the Wall
(See Figures 4, 6a and 6b)

Step 4: Setting the Detector Mode
Standalone Mode
1. DIP SW 6 is OFF
2. Terminal wiring as in Step 5a

RISCO BUS Mode
1. DIP SW 6 is ON
2. Wiring: (see Figure 9)
a) + - terminal (Detector power)
b) Connecting YEL / GRN - Detector BUS
c) Continue to Step 6

Step 5a: Connecting the Terminal Wiring (Standalone Mode)
Connect the terminal wiring according to Figures 5 & 9:

Terminal	Description
+-	+12 VDC, - GND
ALARM YEL GRN	N.C alarm relay / YEL / GRN (RISCO BUS) NOTE: As defined by DIP SW 6
TAMPER +-	N.C tamper switch
AM +-	N.C anti mask alarm relay

Step 5b: Setting DIP Switch Settings (Standalone Mode)
Set the DIP switch settings according to the table, below:

DIP SW	Description	Low	Mid	Norm.	High
1	LEDs: ON*: Enable / OFF: Disable				
2	Sensitivity (PIR)	OFF	OFF	ON*	ON
3		OFF	ON	OFF*	ON
4	Anti Masking: ON: Enable / OFF*: Disable				
5	For future use				
6	Mode: OFF*: Relay / ON: BUS (see Defining BUS ID)				

Relay mode	DIP SW 7	DIP SW 8	DIP SW 9	DIP SW 10
N.C.	OFF*	OFF*	OFF*	OFF*
DEOL**	ON	ON	OFF	OFF
TEOL**	ON	ON	ON	ON

* default
** When using external resistors, Dip Switches 7-10 should be set to OFF

See Figure 12

Step 5c: Setting MW Sensitivity
Adjust microwave coverage area by using the trimmer on the PCB.

Step 5d: Available Wiring Channels (see Figure 10)

Step 6: Defining the BUS ID (BUS Mode)
See Figure 13

Note: This step is only relevant for detectors that are connected to the RISCO BUS.

Step 7: Securing the Detector to the Bracket (See Figures 7 & 8)

Step 8: Registering the Detector into the System
Adding the BUS Detector (LightSYS/ProSYS Plus)

- Select Installer menu: [7] Install > [1] BUS Device > [1] Automatic. The system automatically searches for the detectors BUS ID and assigns a zone (according to the defined DIP switch settings).
- Click OK to confirm.
- Configure the BUS detector parameters: Select Installer menu: [2] Zones > [1] Parameters > [2] By Category > [7] Advanced [4] BUS Zone Parameters (see LightSYS / ProSYS Plus Installation Manual).
Note: For LightSYS Version 5.92 and above / ProSYS Plus Version 1.3.0.x and above.
- Exit the Installer menu.

3. Walk Test

Walk through the entire protected area and observe the LEDs to confirm full coverage (see LED Status). When complete, secure the detector with screw (see Figure 11).

4. LED Status

LED	State	Description
Red	Blinks once	Alarm
	Flashing	Communication error with the system (BUS Mode only)
Green	Blinks once	Microwave detection
	Blinks once	PIR detection
Orange	Flashing	AM (Anti mask) detection
	Flashing (consecutively)	Unit initialization upon power up

Note: DIP-SW 1 should be in ON position to enable the LED indications (Standalone Mode).

5. Self-Test

Every hour the detector performs an internal self-test for both PIR and MW channels. A fault detected in the self-test will be indicated by a momentary open anti-mask relay (in relay mode) or by a corresponding message in the panel (in BUS mode).

6. Technical Specifications

Parameter	Description
Power	12VDC
Current Consumption: Standalone Mode	15 mA
Bus Mode	10 mA
Power Output	24 GHz: 100mW max.
Operating Temperature	-20°C to 60°C (-4°F to 140°F)
Storage Temperature	-25°C to 70°C (-13°F to 158°F)
Humidity Range	Average relative humidity: 90% IP65
Weight	107 grams (3.77 oz.)
Dimensions (LxHxD)	123 x 35 x 49 mm (4.84 x 1.38 x 1.92")
Frequency	24 GHz

7. Ordering Information

P/N	Description
RK107DTB000C	Wired Curtain DT AM, Bus

UKCA and CE RED Compliance Statement:

Hereby, RISCO Group declares that this equipment is in compliance with the essential requirements of the UKCA Radio Equipment Regulations 2017 and CE Directive 2014/53/EU.
For the UKCA and CE Declaration of Conformity please refer to our website: www.riscogroup.com

Standard Limited Product Warranty ("Limited Warranty")

RISCO Ltd. ("RISCO") guarantees RISCO's hardware products ("Products") to be free from defects in materials and workmanship when used and stored under normal conditions and in accordance with the instructions for use supplied by RISCO, for a period of (i) 24 months from the date of delivery of the Product (the "Warranty Period"). This Limited Warranty covers the Product only within the country where the Product was originally purchased and only covers Products purchased as new.

Contact with customers only. This Limited Warranty is solely for the benefit of customers who purchased the Products directly from RISCO or from an authorized distributor of RISCO. RISCO does not warrant the Product to consumers and nothing in this Warranty obligates RISCO to accept Product returns directly from end users who purchased the Products for their own use from RISCO's customer or from any installer of RISCO, or otherwise provide warranty or other services to any such end user directly. RISCO's authorized distributor or installer shall handle all interactions with its end users in connection with this Limited Warranty. RISCO's authorized distributor or installer shall make no warranties, representations, guarantees or statements to its end users or other third parties that suggest that RISCO has any warranty or service obligation to, or any contractual privity with, any recipient of a Product.

Remedies. In the event that a material defect in a Product is discovered and reported to RISCO during the Warranty Period, RISCO shall accept return of the defective Product in accordance with the below RMA procedure and, at its option, either (i) repair or have repaired the defective Product, or (ii) provide a replacement product to the customer.

Return Material Authorization. In the event that you need to return your Product for repair or replacement, RISCO will provide you with a Return Merchandise Authorization Number (RMA#) as well as return instructions. Do not return your Product without prior approval from RISCO. Any Product returned without a valid, unique RMA# will be refused and returned to the sender at the sender's expense. The returned Product must be accompanied with a detailed description of the defect discovered ("Defect Description") and must otherwise follow RISCO's then-current RMA procedure published in RISCO's website at www.riscogroup.com in connection with any such return. If RISCO determines in its reasonable discretion that any Product returned by customer conforms to the applicable warranty ("Non-Defective Product"), RISCO will notify the customer of such determination and will return the applicable Product to customer at customer's expense. In addition, RISCO may propose and assess customer a charge for testing and examination of Non-Defective Product.

Entire Liability. The repair or replacement of Products in accordance with this Limited Warranty shall be RISCO's entire liability and customer's sole and exclusive remedy in case a material defect in a Product is discovered and reported as required herein. RISCO's obligation and this Limited Warranty are contingent upon the full payment by customer for such Product and upon a proven weekly testing and examination of the Product functionality.

Limitations. This Limited Warranty is the only warranty made by RISCO with respect to the Products. The warranty is not transferable to any third party. To the maximum extent permitted by applicable law, this Limited Warranty shall not apply and will be void if: (i) the conditions set forth above are not met (including, but not limited to, full payment by customer for the Product and a proven weekly testing and examination of the Product functionality); (ii) if the Products or any part or component thereof: (a) have been subjected to improper operation or installation; (b) have been subjected to neglect, abuse, willful damage, abnormal working conditions, failure to follow RISCO's instructions (whether oral or in writing); (c) have been misused, altered, modified or repaired without RISCO's written approval or combined with, or installed on products, or equipment of the customer or of any third party; (d) have been damaged by any factor beyond RISCO's reasonable control such as, but not limited to, power failure, electric power surges, or unsuitable third party components and the interaction of software therewith or (e) any failure or delay in the performance of the Product attributable to any means of communication provided by any third party service provider, including, but not limited to, GSM interruptions, lack of or internet outage and/or telephony failure. BATTERIES ARE EXPLICITLY EXCLUDED FROM THE WARRANTY AND RISCO SHALL NOT BE HELD RESPONSIBLE OR LIABLE IN RELATION THERETO, AND THE ONLY WARRANTY APPLICABLE THERETO, IF ANY, IS THE BATTERY MANUFACTURER'S WARRANTY. RISCO does not install or integrate the Product in the end user's security system and is therefore not responsible for and cannot guarantee the performance of the end user's security system which uses the Product or which the Product is a component of.

This Limited Warranty applies only to Products manufactured by or for RISCO. Further, this Limited Warranty does not apply to any software (including operating system) added to or provided with the Products or any third-party software, even if packaged or sold with the RISCO Product. Manufacturers, suppliers, or third parties other than RISCO may provide their own warranties, but RISCO, to the extent permitted by law and except as otherwise specifically set forth herein, provides its Products "AS IS". Software and applications distributed or made available by RISCO in conjunction with the Product (with or without the RISCO brand), including, but not limited to system software, as well as P2P services or any other service made available by RISCO in relation to the Product, are not covered under this Limited Warranty. Refer to the Terms of Service at: www.riscogroup.com/warranty for details of your rights and obligations with respect to the use of such applications, software or any service. RISCO does not represent that the Product may not be compromised or circumvented; that the Product will prevent any personal injury or property loss by burglary, robbery, fire or otherwise, or that the Product will in all cases provide adequate warning or protection. A properly installed and maintained alarm may only reduce the risk of a burglary, robbery or fire without warning, but it is not insurance or a guarantee that such will not occur or lead to personal injury or property loss. CONSEQUENTLY, RISCO SHALL HAVE NO LIABILITY FOR ANY PERSONAL INJURY, PROPERTY DAMAGE OR OTHER LOSS BASED ON ANY CLAIM AT ALL INCLUDING A CLAIM THAT THE PRODUCT FAILED TO GIVE WARNING.

EXCEPT FOR THE WARRANTIES SET FORTH HEREIN, RISCO AND ITS LICENSORS HEREBY DISCLAIM ALL EXPRESS, IMPLIED OR STATUTORY, REPRESENTATIONS, WARRANTIES, GUARANTEES, AND CONDITIONS WITH REGARD TO THE OPERATION OR USE OF THE PRODUCT WILL BE TIMELY, SECURE, UNINTERRUPTED OR ERROR-FREE; (ii) THAT ANY FILES, CONTENT OR INFORMATION OF ANY KIND THAT MAY BE ACCESSED THROUGH THE PRODUCT SHALL REMAIN SECURED OR NON-DAMAGED, CUSTOMER ACKNOWLEDGES THAT NEITHER RISCO NOR ITS LICENSORS CONTROL THE TRANSFER OF DATA OVER COMMUNICATIONS FACILITIES, INCLUDING THE INTERNET, GSM OR OTHER MEANS OF COMMUNICATIONS AND THAT RISCO'S PRODUCTS MAY BE SUBJECT TO LIMITATIONS, DELAYS, AND OTHER PROBLEMS INHERENT IN THE USE OF SUCH MEANS OF COMMUNICATIONS; RISCO IS NOT RESPONSIBLE FOR ANY DELAYS, DELIVERY FAILURES, OR OTHER DAMAGE RESULTING FROM SUCH PROBLEMS. RISCO WARRANTS THAT ITS PRODUCTS DO NOT, TO THE BEST OF ITS KNOWLEDGE, INFRINGE UPON ANY PATENT, COPYRIGHT, TRADEMARK, TRADE SECRET OR OTHER INTELLECTUAL PROPERTY RIGHT IN ANY EVENT RISCO SHALL NOT BE LIABLE FOR ANY AMOUNTS REPRESENTING LOST REVENUES OR PROFITS, PUNITIVE DAMAGES, OR FOR ANY OTHER INDIRECT, SPECIAL, INCIDENTAL, OR CONSEQUENTIAL DAMAGES, EVEN IF THEY WERE FORESEEABLE OR RISCO HAS BEEN INFORMED OF THEIR POTENTIAL.